

Part #: 920D
Description: SZL36/SFZ36/SWZT36 Hurricane Mulch Kit Install
Date: 11/21/2016 - Revised

Instructions for Installing the Hurricane Mulch Kit on Scag SZL36, SFZ36 & SWZT36 Cutter Decks

- NOTE -

The following tools are required for installation of this Mulch Kit

- 2 - 1/2" Wrenches or Sockets*
- 1 - 9/16" Wrench or Socket*
- 1 - 15/16" Box Wrench or Socket*
- 1 - 1" Open End Wrench*

1. Prepare the machine so there is easy and safe access to the work area. Remove the ignition key and disconnect the spark plug wires. Maintain all safety related work procedures. Always wear eye and hand protection when working with or near cutter blades.
2. Block the rear wheels and apply the parking brake. Lift the front of the machine for easy and safe access to the bottom of the cutter deck.
3. Remove the original cutter blades from the cutter deck. To remove the cutter blades from the spindles use the Scag Blade Buddy Accessory (p/n 9212) or install a 1" open end wrench on to the flats provided on the spindle shaft. This will allow you to hold the spindle in place and prevent it from rotating as you remove the blade mounting bolt. Use a 15/16" box wrench or socket to remove the blade mounting bolt. Be sure to retain the bolts, lockwashers and flatwashers. This hardware will be needed when installing the mulching blades in step number 9. See Figure 1.

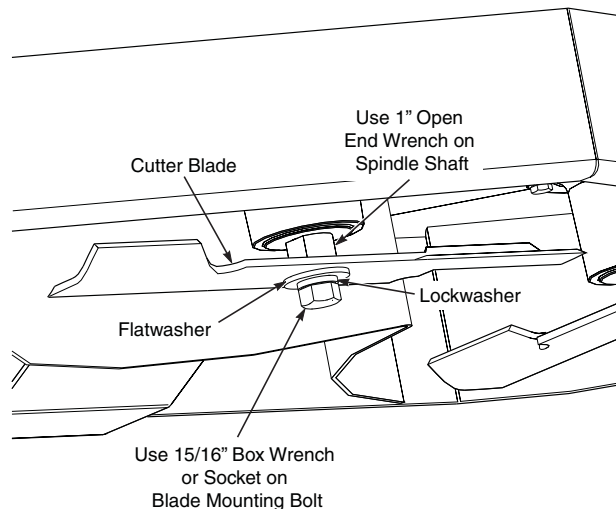


Figure 1. Blade Removal



WARNING

Blades have a sharp cutting edge. Wear proper eye protection and protective gloves or wrap blades with protective material when removing, sharpening and installing blades.

- Remove and discard two of the spindle mounting bolts from each of the spindle flanges as indicated in Figure 2. Install the L.H. and R.H. Hurricane Mulch Baffles as shown and secure using four (4) 5/16-18 x 1-1/2" grade 8 hex head bolts, 5/16" lockwashers and 5/16-18 elastic locknuts. See Figure 2.

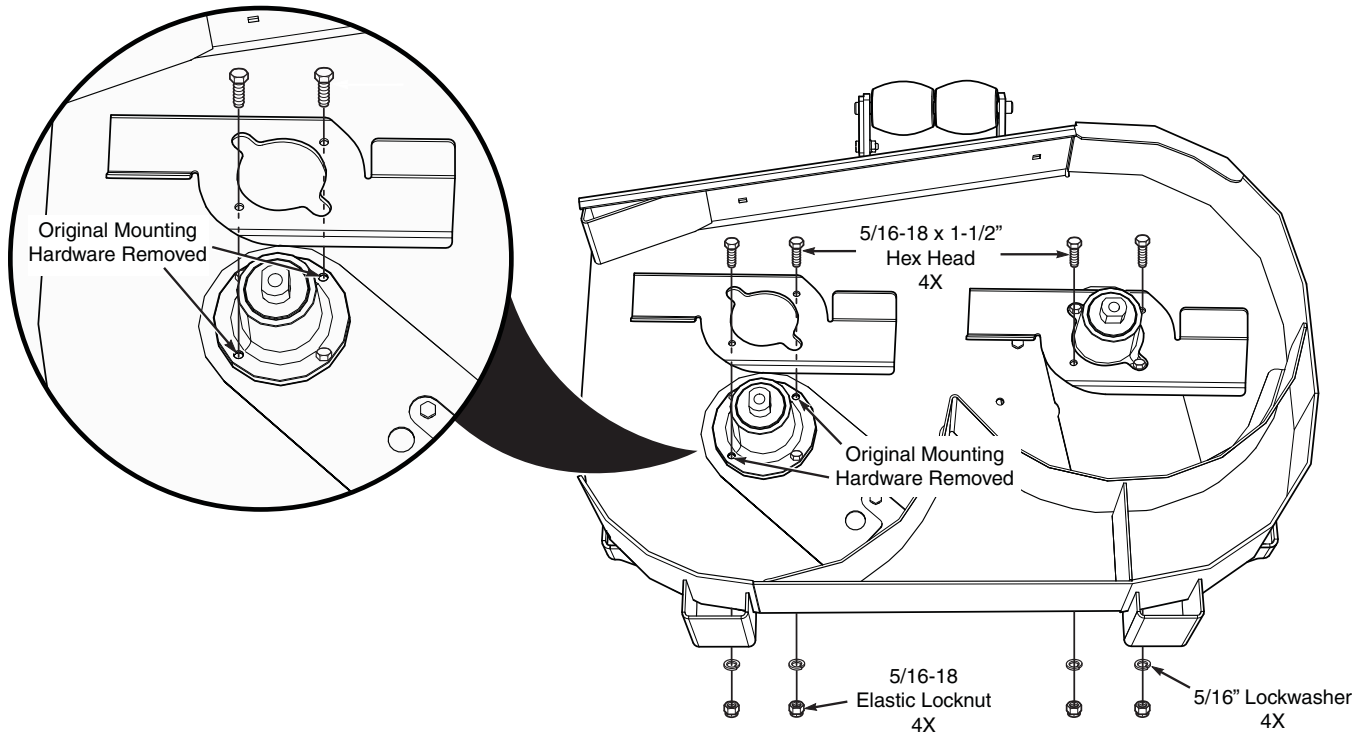


Figure 2. Hurricane Mulch Baffle Installation

- Refer to Figure 3 on Page 3 and install the Mulch Baffle to the front of the cutter deck as shown. Secure using one (1) 3/8-16 x 1" carriage bolt, one (1) 3/8" flatwasher and one (1) 3/8-16 elastic locknut. Do not tighten the hardware at this time.
- Install the Discharge Shut-Off Baffle as shown in Figure 3, Page 3 and secure to the front of the cutter deck and Mulch Baffle as shown using one (1) 3/8-16 x 1-1/4" carriage bolt, one (1) 3/8" flatwasher and one (1) 3/8-16 elastic locknut. Do not tighten the hardware at this time.
- Secure the rear of the Discharge Shut-Off Baffle to the cutter deck using one (1) 5/16-18 x 1" hex head bolt, one (1) 5/16" flatwasher and one (1) 5/16-18 elastic locknut. See Figure 3, Page 3.

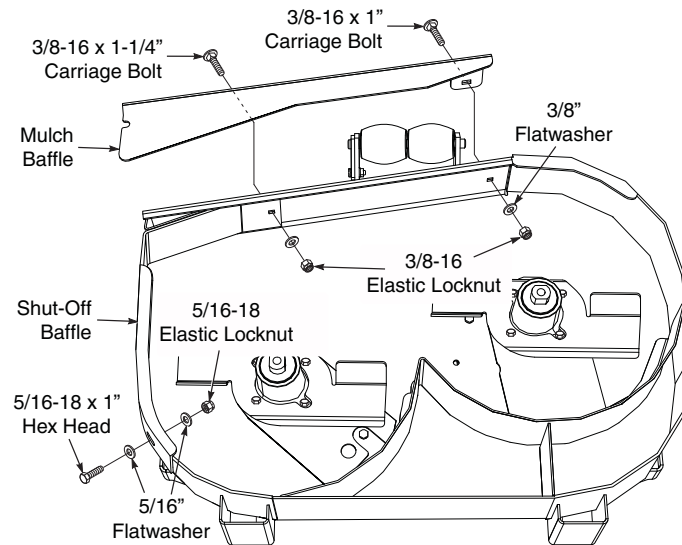


Figure 3. Mulch Baffle & Discharge Baffle Installation

8. Tighten all hardware.
9. Install the Eliminator Mulch Blades and secure using the blade retainer hardware that was removed in step 3. Torque the blade retainer bolts to 75 Ft. Lbs.
10. Carefully rotate the blades to make sure that contact is not being made between the cutter blades and the mulch baffles. Adjust as needed.
11. Test machine for proper operation.



WARNING

DO NOT operate without Discharge Chute, Mulching Kit, or entire Grass Catcher properly installed.