



INSTRUCTION SHEET 07249

Part #: 9518
Description: SFZ / SFZP / SPZ Foldable ROPS
Date: 1/8/2016

SFZ / SFZP / SPZ ROLL-OVER PROTECTION SYSTEM OPERATION INSTRUCTIONS

-NOTE-

This instruction sheet **MUST** be given to the operator after installation for proper operation of this Roll-Over Protection System.

WARNING:

Keep the roll bar in the raised and locked position and the seat belt securely fastened during operation. Failure to do so could cause serious injury or loss of life.

This mower has been designed for good traction and stability under normal mowing conditions. However, caution must be used when traveling on slopes, especially when the grass is wet. Do not mow on wet grass. Wet grass reduces traction and steering control. Any or all parts of the Roll-Over Protection System **MUST NOT** be removed. Failure to adhere to this guideline could result in injury or death.

WARNING:

There is no roll-over protection when the roll bar is in the down position.

Lower the roll bar only when absolutely necessary.

Raise the roll bar as soon as clearance permits.

DO NOT wear the seat belt when the roll bar is in the down position.

ALWAYS wear seat belt when roll bar is in the up position.

Operate the machine smoothly, no sudden turns, starts or stops.

Check the area carefully before mowing for proper overhead clearance (i.e. branches, doorways, etc.).

DO NOT contact any overhead object with the roll bar.

SFZ / SFZP / SPZ ROLL-OVER PROTECTION SYSTEM OPERATION INSTRUCTIONS - CONTINUED

Lower the roll bar only when absolutely necessary.

1. To lower the roll bar, remove the hairpin cotter pins and remove the (2) two lock pins. See Figure 2-1.
2. Lower the roll bar to the down position. See Figure 2-2.
3. To raise the roll bar, lift the bar to the upright position. See Figure 2-2.
4. Install the (2) two lock pins through the hole, secure with the (2) two hairpin cotter pins. See Figure 2-1.

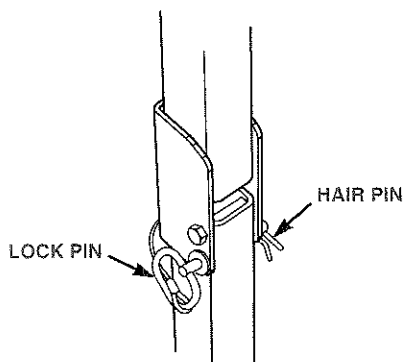


Figure 2-1 ROPS Lock Pin

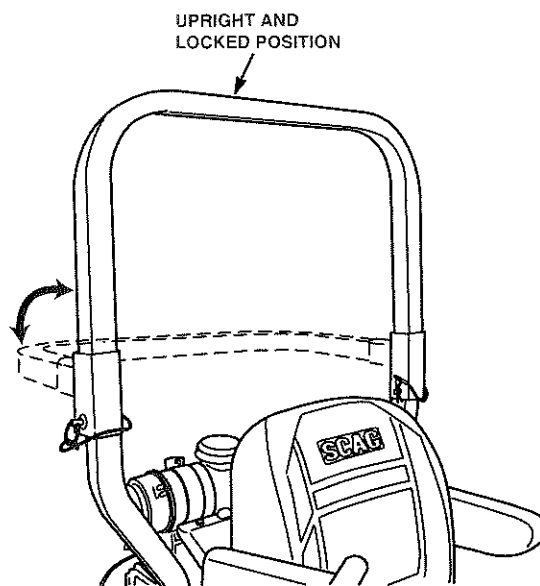


Figure 2-2 Foldable Roll-Over Protection System

SFZ / SFZP / SPZ ROLL-OVER PROTECTION SYSTEM OPERATION INSTRUCTIONS - CONTINUED

The potential exposure of the seat belt to severe environmental conditions makes it crucial to inspect the seat belt system regularly. It is recommended that the seat belt be inspected on a daily basis for signs of damage. Any seat belt system that shows cuts, fraying, extreme or unusual wear, significant discoloration due to UV exposure, dirt or stiffness, abrasion to the seat belt webbing, or damage to the buckle, latch plate, hardware or any other obvious problem should be replaced immediately.

WARNING:

Failure to properly inspect and maintain the seat belt can cause serious injury or loss of life.

1. Check the full length of the seat belt webbing for cuts, wear, fraying, dirt and stiffness. See Figure 2-4.
2. Check the seat belt webbing in areas exposed to ultra violet rays from the sun or extreme dust or dirt. If the original color of the webbing in these areas is extremely faded and/or is packed with dirt, the physical strength of this webbing may have deteriorated. If this condition exists, replace the seat belt system.
3. Check the buckle and latch for proper operation and determine if the latch plate is excessively worn, deformed,

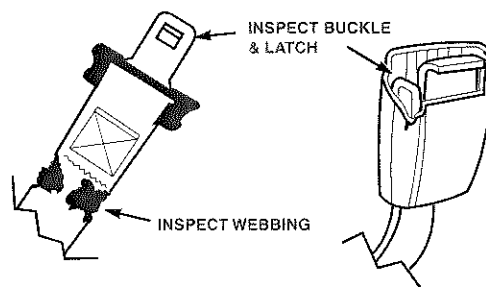


Figure 2-4 Seat Belt Inspection

SFZ / SFZP / SPZ ROLL-OVER PROTECTION SYSTEM OPERATION INSTRUCTIONS - CONTINUED

WARNING:

Reduce speed when turning, operating on slopes, slick or wet surfaces. Allow extra distance to stop.

Stay off of slopes too steep for safe operation. To check a slope, attempt to back up it (with the cutter deck down). If the machine can not back up the slope without the wheels slipping, do not operate the machine on this slope. Under no circumstances should the machine be operated on slopes greater than 15 degrees. See Figure 2-4 located in the machine's operators manual to determine approximate slope.

DO NOT mow near drop-offs, ditches or embankments. The machine could suddenly roll over if a wheel goes over the edge or if the edge caves in. Stay two cut widths away from slopes, drop offs, ditches and retaining walls.

Operate the machine smoothly, no sudden turns, starts or stops on a slope.

NEVER tow on slopes. The weight of the towed equipment may cause loss of traction and loss of control.

DO NOT permit untrained personnel to operate the machine.

Be cautious when loading and unloading onto trailers or trucks.

Use only a full width ramp.

Ramp angle should be no more than 15 Degrees. See Figure 2-4 located in the machine's operators manual to determine approximate slope.

INSTRUCTIONS FOR INSTALLING THE 9518 SFZ / SFZP / SPZ FOLDABLE ROLL-OVER PROTECTION SYSTEM (ROPS)

1. Prepare the machine so there is easy and safe access to the work area. Remove the key and maintain all safety related work procedures. Always wear eye and hand protection.
2. Remove the hardware securing the original Roll-Over Protection System (ROPS) to the machine. See Figure 3-1.
3. Retain all mounting hardware as it will be used to secure this accessory.

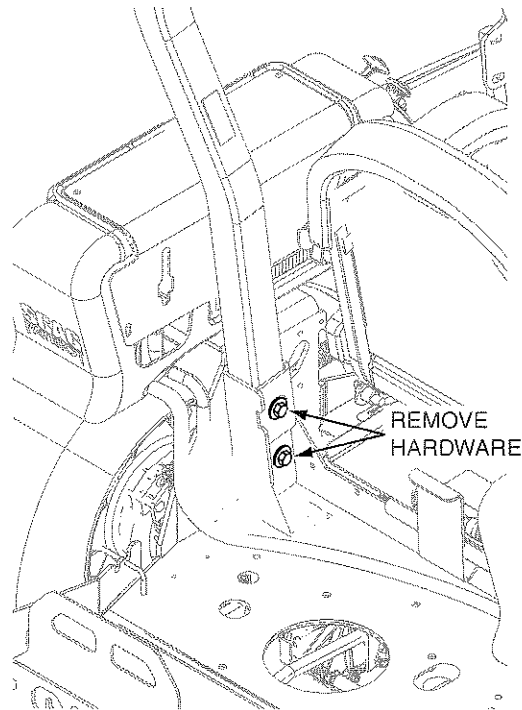
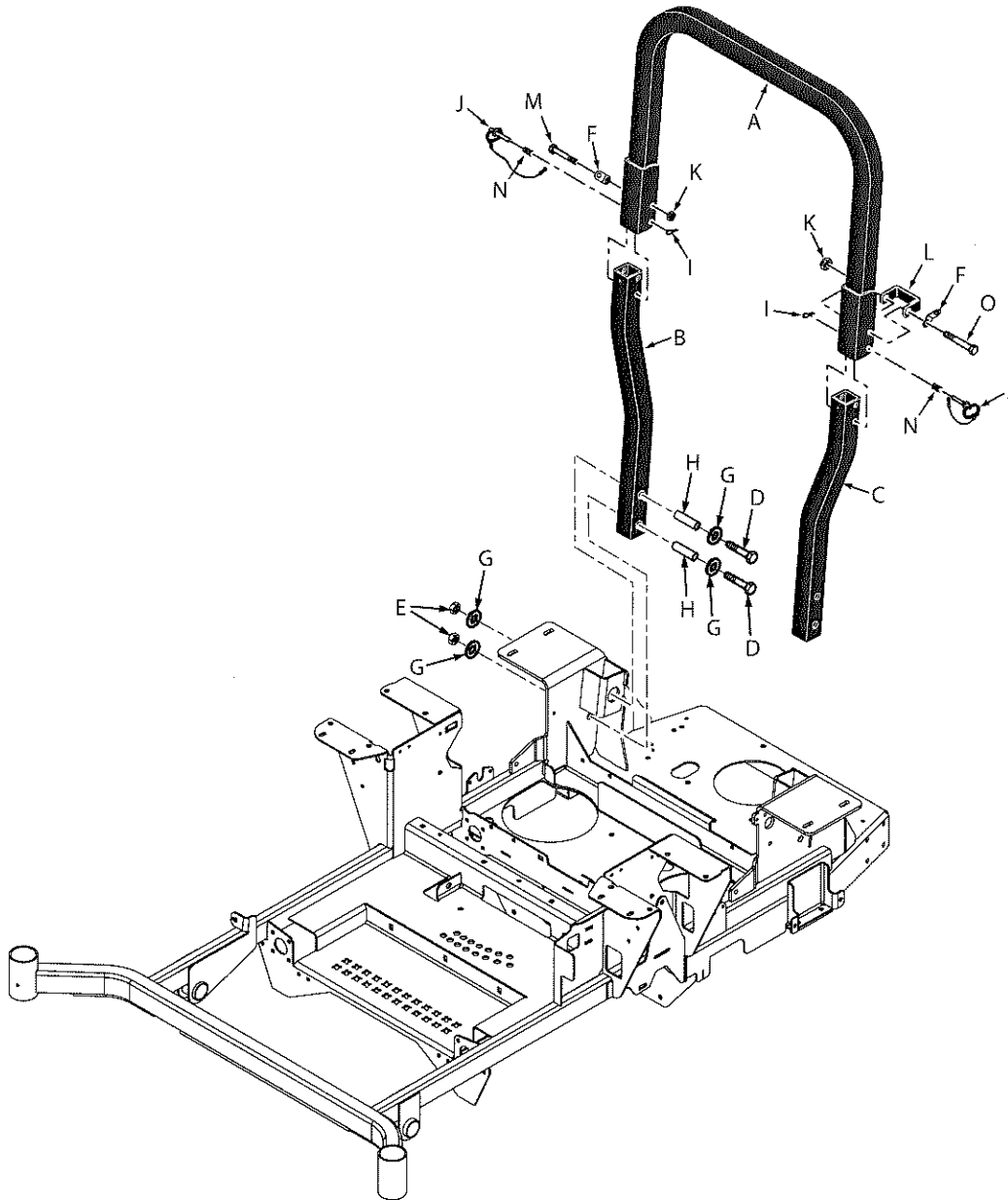


Figure 3-1. ROPS Removal

2. Remove all parts included with this accessory.
3. Install the top bar (item A) to the right side bar (item B). The offset of the side bar will face the center of the machine. Install the ROPS clip (item F) and secure the side bar to the top bar using the hardware provided (items K & M). See Figure 3-2, Page 8.
4. Install the left side bar (item C) to the top bar (item A). Install the stop bucket (item L) to the pivot point of the left side bar (item C) and the top bar (item A). Install the ROPS clip (item F) and secure with the hardware provided (items K & O). See Figure 3-2, Page 8.

5. Install the lock pins (item J), ROPS spring (item N) and secure the ROPS assembly in the upright position.
6. Install the hair pin (item I) through the loop on the lanyard and secure to the lock pin (item J).
7. Make sure ROPS mounting brackets are clear of any obstructions, wires, foreign objects, etc.
8. Insert ROPS assembly into the mounting brackets.
9. Using the hardware removed in step 2, install the (2) lower ROPS bolts (item D), flatwasher (item G), bushings (item H) and center lock nuts (item E) on the right side of the machine. Do not tighten. See Figure 3-2, Page 8.
10. Install the (2) lower ROPS bolts (item D), flatwasher (item G), bushings (item H) and center lock nuts (item E) on the left side of the machine. Do not tighten. See Figure 3-2, Page 8.
11. Torque ROPS mounting hardware to 100 ft.lbs.



ITEM	ITEM DESCRIPTION	ITEM	ITEM DESCRIPTION
A	Top Bar, Foldable ROPS Accessory	L	Bracket, Stop
B	Right Side Bar, Foldable ROPS Accessory	M	Bolt, Hex Head 1/2-13 x 3-1/4"
C	Left Side Bar, Foldable ROPS Accessory	N	Spring, ROPS
D	Bolt, Hex Head 1/2-13 x 3" Grade 8	O	Bolt, Hex Head 1/2-13 x 3-1/2"
E	Nut, Center Lock 1/2-13		
F	Clip, ROPS		
G	Flatwasher, 1/2-.531 x 1.062 x .095		
H	Bushing, ROPS		
I	Hair Pin, Cotter		
J	Lock Pin		
K	Nut, Center Lock 1/2-13		

Figure 3-2. SFZ / SFZP / SPZ Foldable ROPS Assembly