



## INSTRUCTION SHEET 07284

**Part #:** 9263, 924Y  
**Description:** Hurricane Mulch Kit Install for 32A and 36A  
**Date:** 2/9/2022

# Instructions for Installing the Hurricane Mulch Kit on 32A and 36A Decks

### -NOTE-

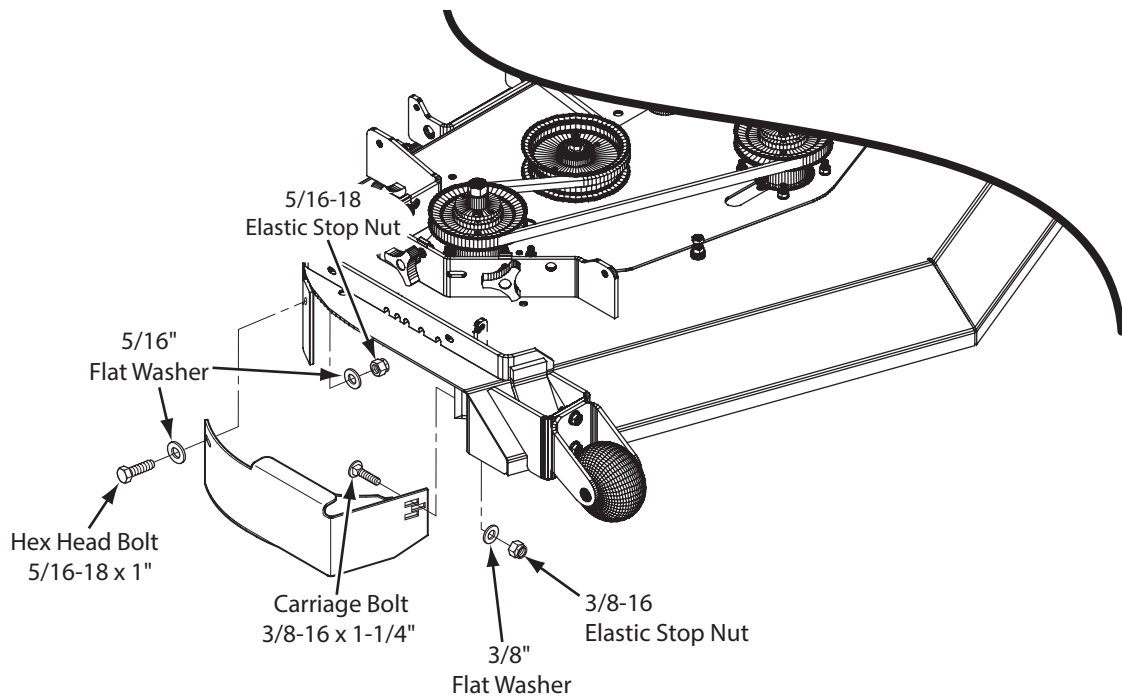
*This is **ONLY** applicable to machines with the 32A or 36A decks*

1. Prepare the machine so there is easy and safe access to the work area. Remove the ignition key and disconnect the spark plug wires. Maintain all safety related work procedures. Always wear eye and hand protection when working with or near cutter blades.
2. Block the rear wheels and apply the parking brake. Lift the front of the machine for easy and safe access to the bottom of the cutter deck.
3. Using a Blade Buddy, remove the original cutter blades from the cutter deck. To remove the cutter blade, slide the Blade Buddy onto the cutter blade until it stops. Rotate the cutter blade counter-clockwise until the Blade Buddy firmly contacts the cutter deck shell. Remove the cutter blade retainer bolt, and remove the cutter blade.

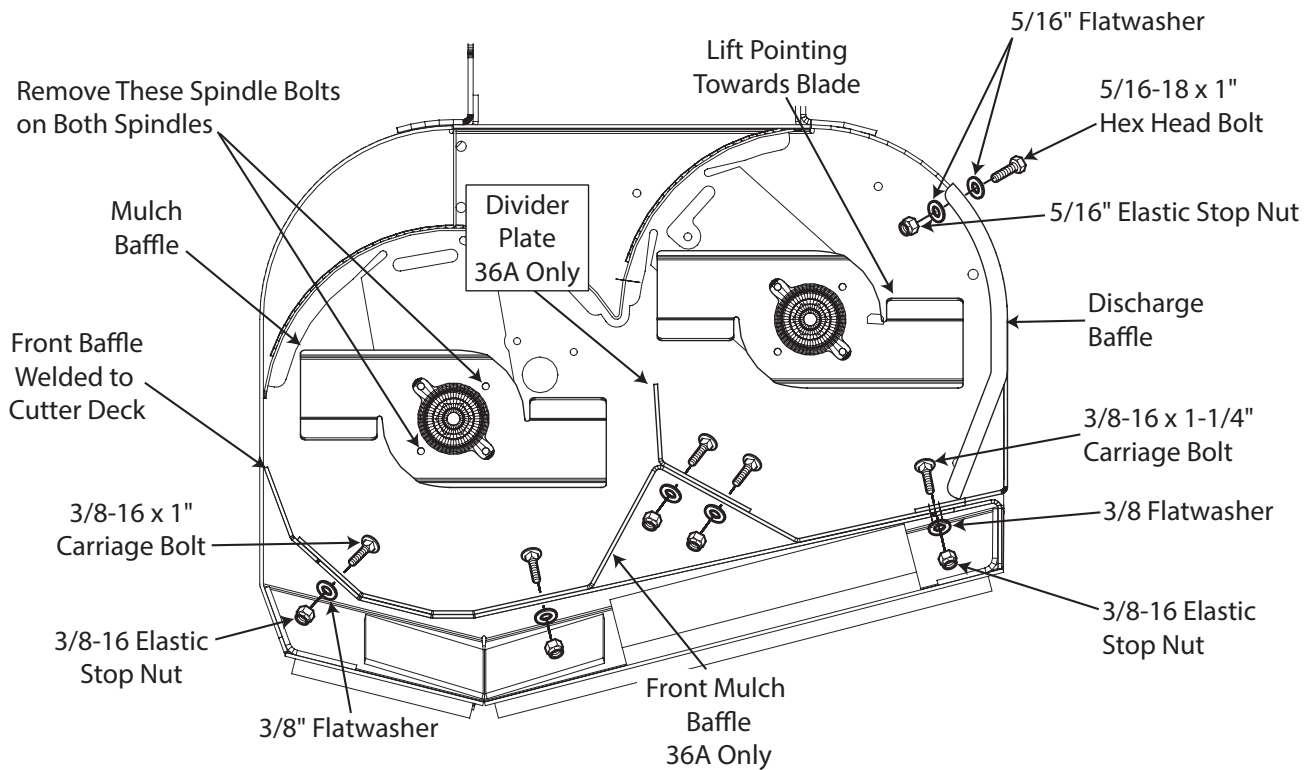
### -NOTE-

*Do not operate the machine without the discharge chute, mulching kit, or entire grass catcher installed.*

4. Remove the existing Turbo Baffle from the discharge side and the Discharge Chute from the cutter deck. Retain the mounting hardware, discharge baffle, and discharge chute for reinstallation when the mulch kit is removed.
5. Install the discharge shutoff baffle to the cutter deck using the hardware provided as shown in Figure 1, Page 2.
6. Remove two of the spindle mounting bolts as shown in Figure 2, Page 2. Install the mulch baffles as shown in Figure 2, Page 2 and secure using the new spindle hardware supplied with this kit (5/16-18 x 1-3/4" grade 8 bolt, 5/16" lock washer, 5/16-18 elastic stop nut).
7. Continue to Step 8 for 36A decks. Proceed to step 11 for machines equipped with 32A decks.
8. Remove the Custom-Cut Baffle and hardware from the cutter deck. Do not discard the custom cut baffle or mounting hardware as it will be reinstalled when the mulch kit has been removed. (36A decks only)
9. Install the divider plate(s) to the front mulch baffle as shown in Figure 2, Page 2 and secure using 3/18-16 x 1" carriage bolts, 3/8" flatwashers and 3/8-16 elastic stop nuts. (36A decks only)
10. Install the front mulch baffle(s) to the cutter deck as shown in Figure 2, Page 2 and secure using 3/8-16 x 1" carriage bolts, 3/8" flatwashers and 3/8-16 elastic stop nuts. (36A decks only)
11. Tighten all hardware.
12. Install the Eliminator Mulch Blades and secure.
13. Carefully rotate the blades to make sure that contact is not being made between the cutter blades and the mulch baffles. Adjust as needed.
14. Test machine for proper operation.
15. When the Mulch Kit is removed, the Side Discharge Chute, Turbo Baffle and Custom-Cut Baffle must be reinstalled before operation.



**Figure 1. 32A / 36A Discharge Shutoff Baffle Installation**



\*View from the bottom of the cutter deck

**Figure 2. 32A / 36A Installation**