



INSTRUCTION SHEET 07295

Part #: 9617
Description: STS Spreader/Sprayer Weight Kit
Date: 09/03/2021

Instructions for Installing Weight Kit on STS Spreader / Sprayer

⚠ - WARNING -

Any approved Scag accessory mounted to the rear of the STS Spreader / Sprayer will require a 9617 weight kit to be installed.

1. Prepare the machine so there is an easy and safe access to the work area. Maintain all safety related work procedures. Always wear eye and hand protection. Remove the ignition key and disconnect the spark plug wires.
2. Identify the two corresponding 1/2" mounting holes on the lower front frame of the STS. See Figure 1 below.
3. **Caution: The counterweight included in this kit weighs in excess of 35 lbs. Please have additional assistance available in order to install this weight in a safe manner.**
4. After the mounting holes have been identified, with the help of an assistant place the weight against the frame aligning the two mounting holes in the frame and counterweight as shown in Figure 2 on page 2.
5. After the holes are aligned, fasten the weight to the front of the frame by installing one 1/2" hex head bolt and one 1/2" flat washer into each of the two holes of the weight, then through the frame. After installing the bolt and washer, fasten the weight to the frame with the 1/2" elastic stop nuts located on the back side of the frame. See Figure 2 on page 2. Tighten the hardware using standard torque specs.

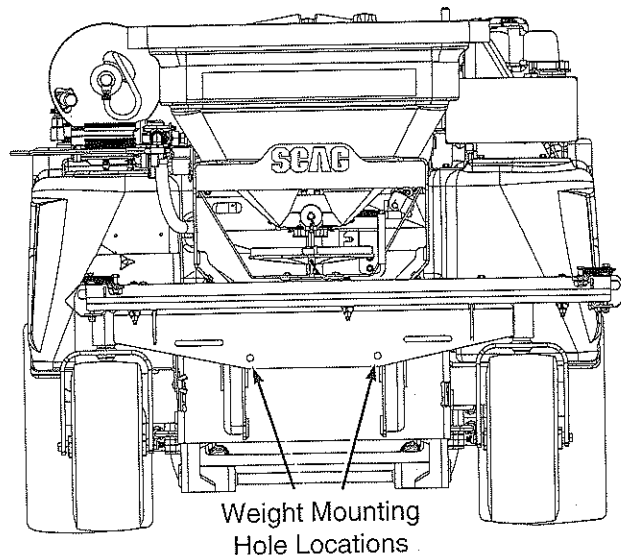


Figure 1.

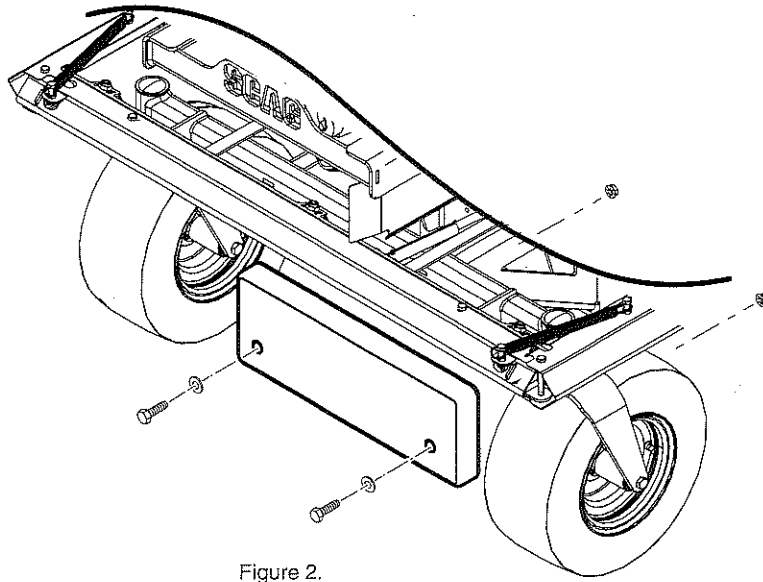


Figure 2.